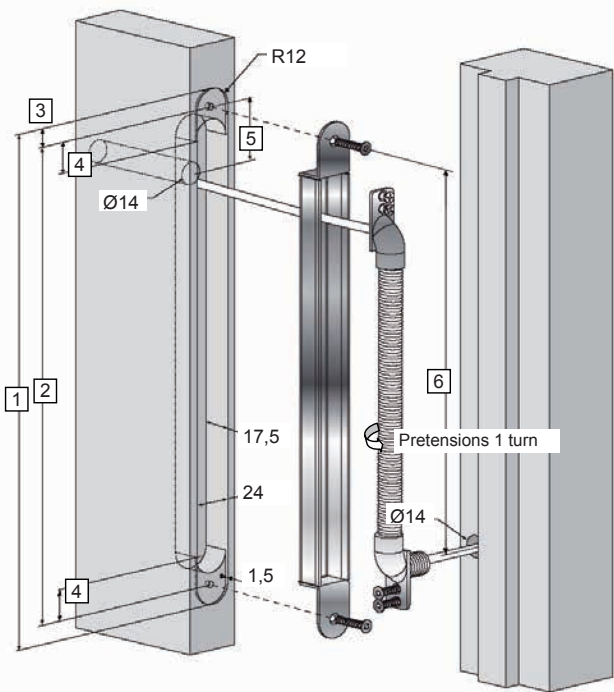
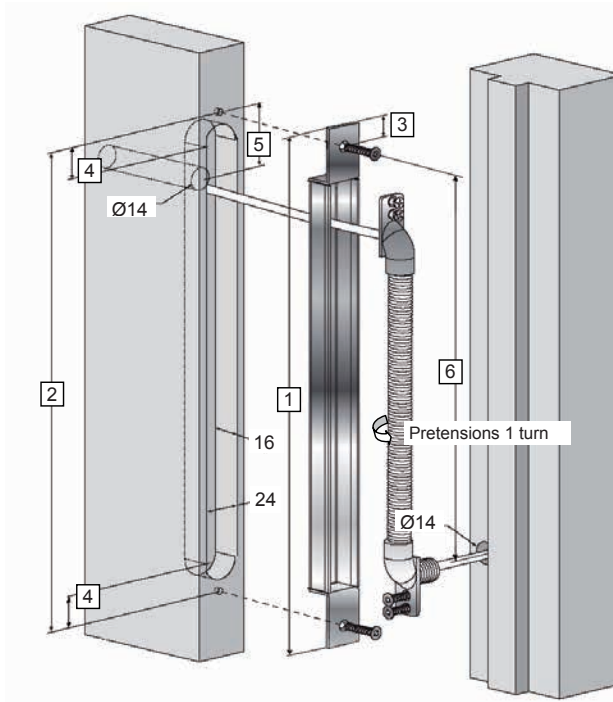


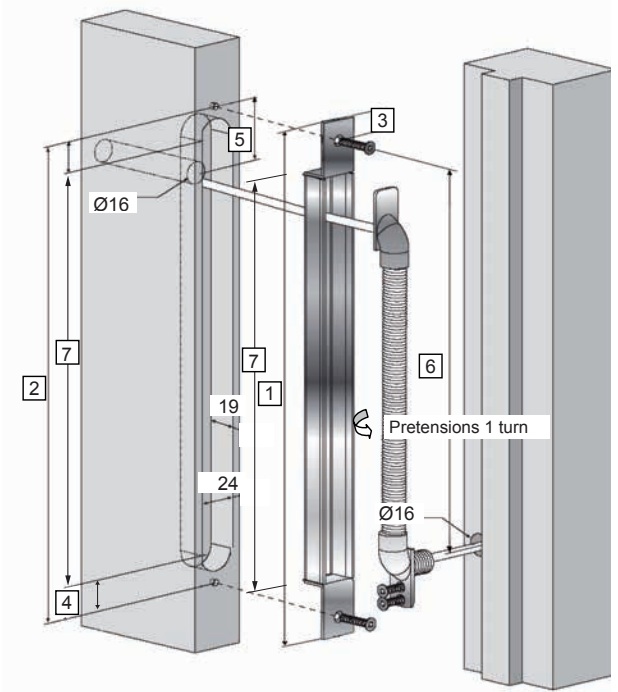
### Mounting instruction for Cable transfers:



	Item no	
Pos.	904630	904637
1	324	546
2	299	519
3	12	12
4	20.5	20.5
5	C-C40-57	C-C40-57
6	~242	~465



	Item no	
Pos.	904631	904632
1	291	511
2	277	497
3	6.5	6.5
4	9.5	9.5
5	C-C34-46	C-C34-46
6	~231	~454



	Item no
Pos.	929590
1	521
2	507
3	7
4	(13,5)
5	C-C 50±5
6	~455
7	477