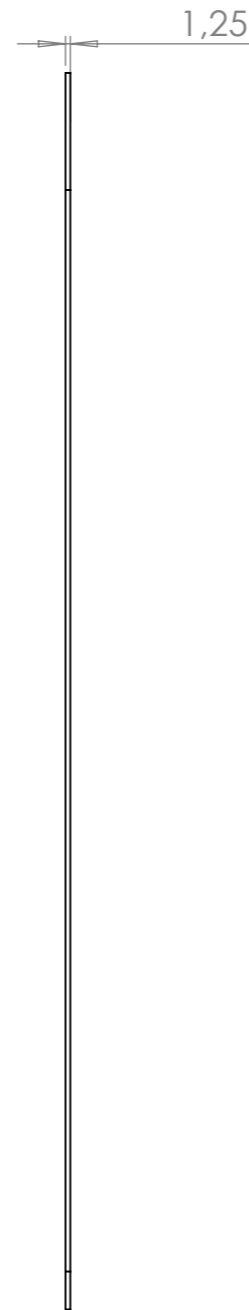
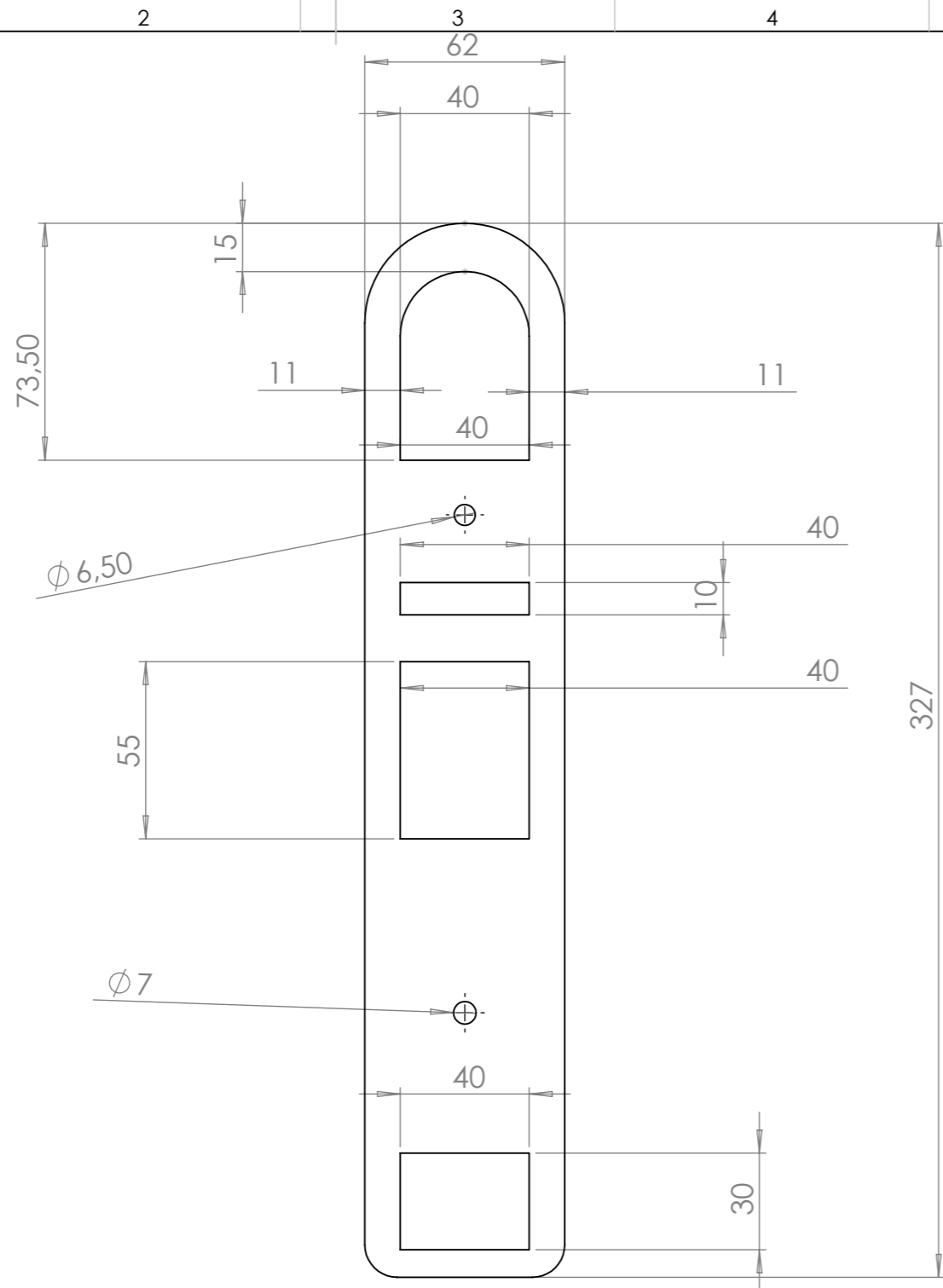


This document must not be copied without our written permission, and the contents thereof must not be imparted to a third party nor be used for any unauthorized purpose. Contravention will be prosecuted.



Material <b>Borstad rf T=1,25</b>		Ytbehandling			
Ritad Av <b>TE</b>	Skapad Datum <b>210504</b>	Godkänd Av/Godkännande Datum	Generell Tolerans (Där ej annat anges)	Skala <b>1:5</b>	
Kund <b>Copix</b>		Titel / Benämning			
Ägare  <b>P.O. Jansson Industri AB</b>		Artikel Nr <b>Po117</b>		Rev	Blad <b>1 (1)</b>