






# **Network Indoor Station**

**Installation Guide**

## Symbol Conventions

The symbols that may be found in this document are defined as follows.

Symbol	Description
 <b>Danger</b>	Indicates a hazardous situation which, if not avoided, will or could result in death or serious injury.
 <b>Caution</b>	Indicates a potentially hazardous situation which, if not avoided, could result in equipment damage, data loss, performance degradation, or unexpected results.
 <b>Note</b>	Provides additional information to emphasize or supplement important points of the main text.

# Contents

1 About this Manual .....	1
2 Appearance .....	2
3 Wiring Description .....	4
4 Installation .....	5
4.1 Wall Mounting Plate .....	5
4.2 Wall Mounting with Junction Box .....	5
4.3 Mounting Indoor Station without Junction Box .....	6

# 1 About this Manual

Get the manual and related software from or the official website (<http://www.hikvision.com>).

Product	Model
Network Indoor Station	DS-KH6320-WTE1,DS-KH6320-TE1

Scan the QR code to get the configuration guide for detailed information.

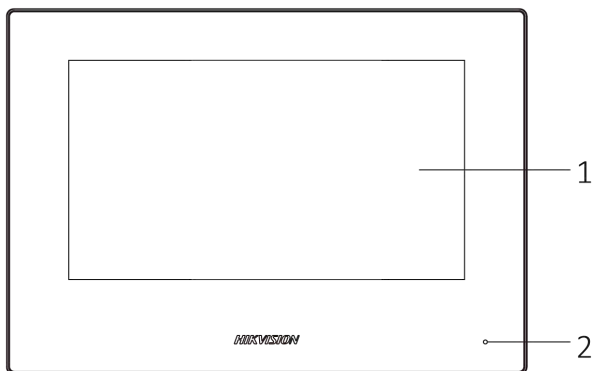


Scan the QR code to get the operation guide for detailed information.



## 2 Appearance

### Front Panel

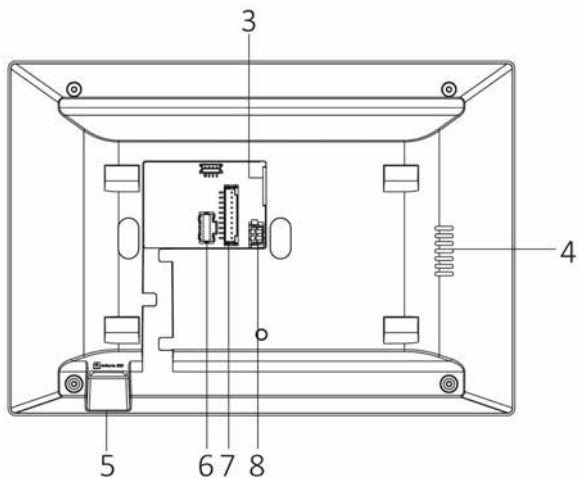


**Figure 2-1 Front Panel**

**Table 2-1 Description**

No.	Description
1	Screen
2	Microphone

## Rear Panel



**Figure 2-2 Rear Panel**  
**Table 2-2 Description**

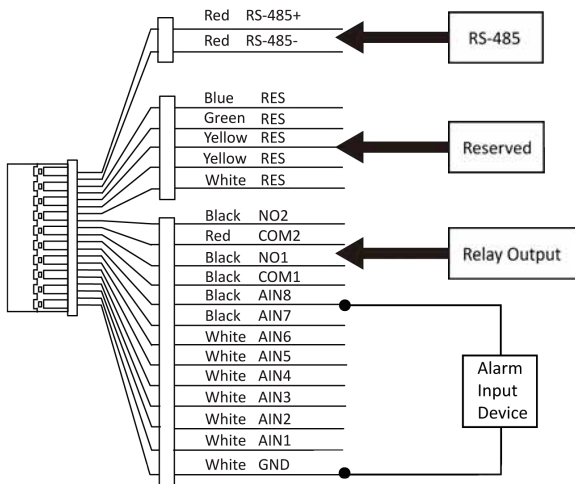
No.	Description
3	Network Interface
4	Loudspeaker
5	TF Card Slot
6	Alarm Terminal
7	Reserved
8	Power Terminal

### 3 Wiring Description

There are 20 pins in the terminal on the rear panel of the indoor station: 2 RS-485 pins, 5 reserved pins, 4 relay output pins, 8 alarm input pins, and 1 GND pin.

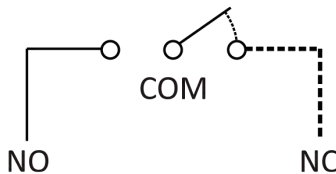
**Note**

There are 20 pins in the terminal on the rear panel of the DS-KH6320-TE1: 11 reserved pins, 8 alarm input pins, and 1 GND pin. Please refer to the specific model.



**Figure 3-1 Wiring Description (Alarm Input Device)**

The internal circuit structure of the relay output is shown as below.



**Figure 3-2 Relay Output Internal Circuit Structure**

## 4 Installation

It supports wall mounting. There are two installation modes.

### 4.1 Wall Mounting Plate

The wall mounting plate and the junction box are required to install the indoor station onto the wall.

The dimension of junction box should be 75 mm (width) × 75 mm (length) × 50 mm (depth).

The dimension of wall mounting plate is shown .

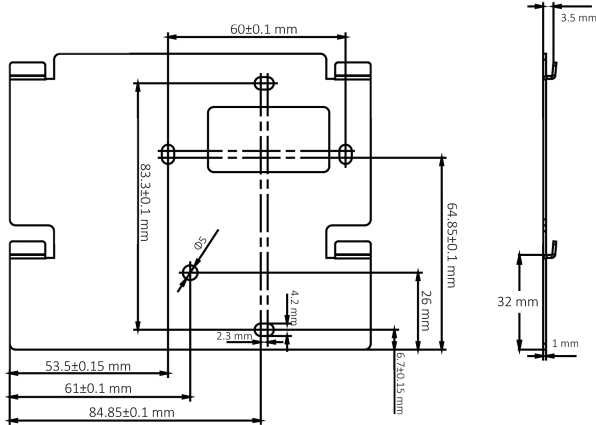


Figure 4-1 Wall Mounting Plate

### 4.2 Wall Mounting with Junction Box



### Before You Start

#### Note

- Make sure the device in the package is in good condition and all the assembly parts are included.
- The power supply the indoor station supports is 12 VDC. Please make sure your power supply matches your indoor station.
- Make sure all the related equipment is power-off during the installation.
- Check the product specification for the installation environment.

### Steps

1. Chisel a hole in the wall. The size of the hole should be 76 mm (width) × 76 mm (length) × 50 mm (depth).
2. Insert the junction box to the hole chiseled on the wall.
3. Fix the wall mounting plate to the junction box with 2 screws.
4. Hook the indoor station to the wall mounting plate tightly by inserting the plate hooks into the slots on the rear panel of the indoor station, during which the lock catch will be locked automatically.

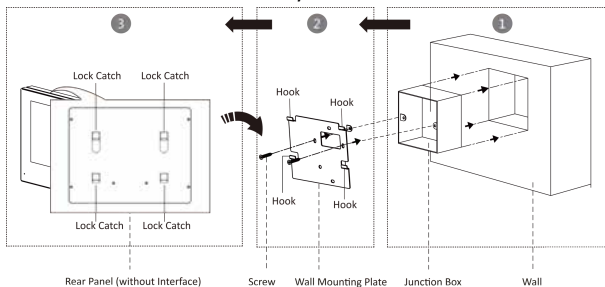


Figure 4-2 Wall Mounting with Junction Box

## 4.3 Mounting Indoor Station without Junction Box

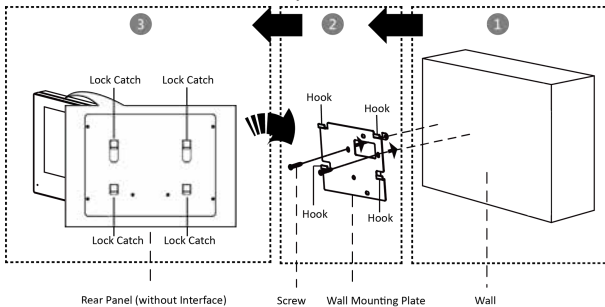
**Before You Start**

 **Note**

- Make sure the device in the package is in good condition and all the assembly parts are included.
- The power supply the indoor station supports is 12 VDC. Please make sure your power supply matches your indoor station.
- Make sure all the related equipment is power-off during the installation.
- Check the product specification for the installation environment.

**Steps**

1. Insert 2 expansion tubes into the wall.
2. Fix the wall mounting plate to the junction box with 2 screws.
3. Hook the indoor station to the wall mounting plate tightly by inserting the plate hooks into the slots on the rear panel of the indoor station, during which the lock catch will be locked automatically.



**Figure 4-3 Wall Mounting without Junction Box**

