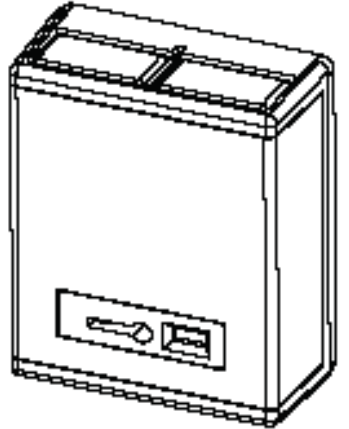




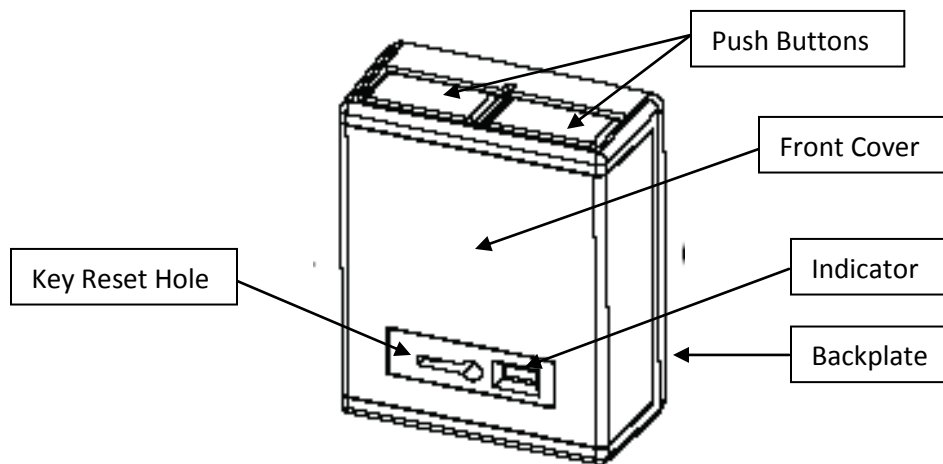
CQR PADP2 / SS / G1



Rev.1

Index	Page
PA Overview	2
Installation Instructions	3
- Mounting	3
- Wiring	3
- Backplate Diagram	3
Operation	4
- Operating	4
- Resetting	4
Specification	4

PA Overview



Installation Instructions

Mounting

Undo the two cover screws to remove the front cover from the Backplate.

Fix Backplate to mounting surface using suitable fixings.

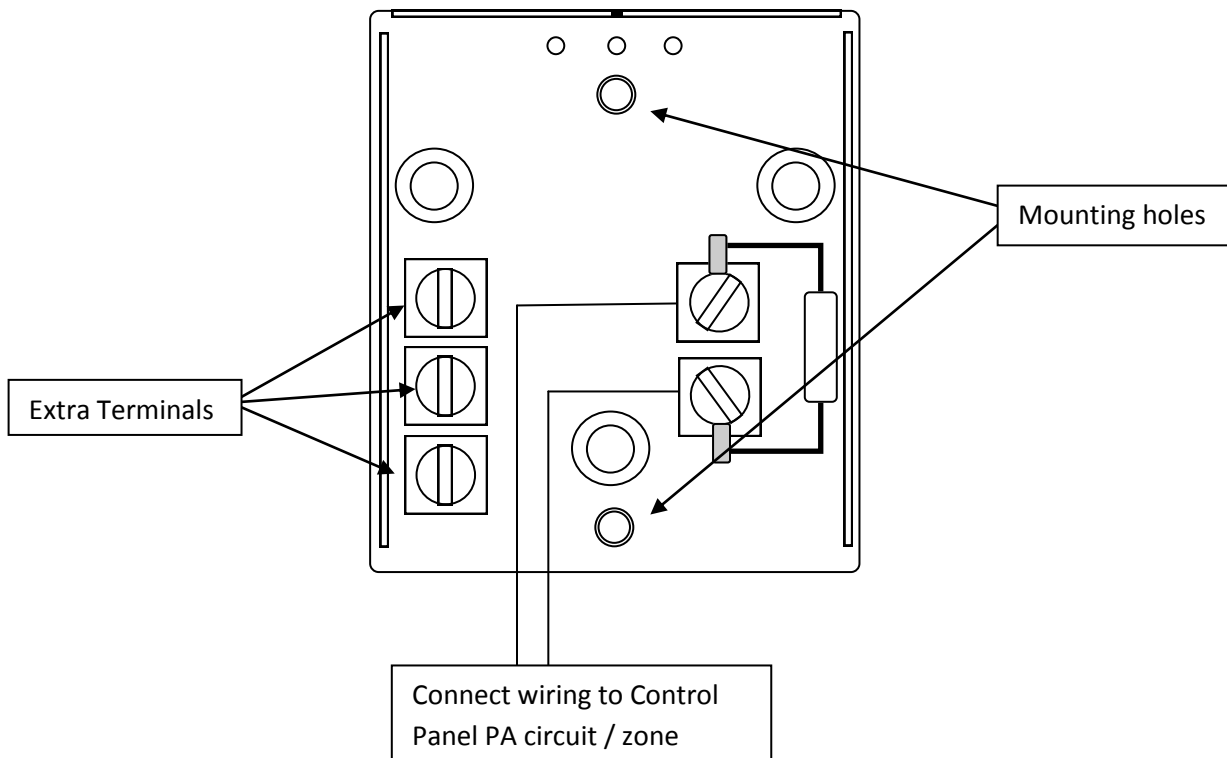
Wiring

Route the cable through the access holes in the rear of the Backplate.

Connect control panel PA zone/circuit to the two reed switch terminals inside the PA Button (not polarity conscious) as shown below.

Refit cover to PA Backplate.

Backplate Diagram



Note: Three extra terminals are provided for terminating other circuit wires.

Operation

To Operate	Press both red buttons simultaneously. Indicator will show RED.
To Reset	Insert supplied key into front cover and turn clockwise through 90°. Indicator will show Yellow. Remove key.
Note:	Remove key from PA button whilst not in use and store carefully.

Specification

Operation	Double Push
Material	ABS
Switch	Reed
NO/NC Configuration	Both
Terminals	5
Tamper	None
Reset	Latch
Indicator	Yes
Backlit	No
Max Voltage	50v DC
Max Current	500mA
Security Grade	1
Environmental Class	II
Dimensions (w) x (h) x (d)mm	62 x 75 x 30