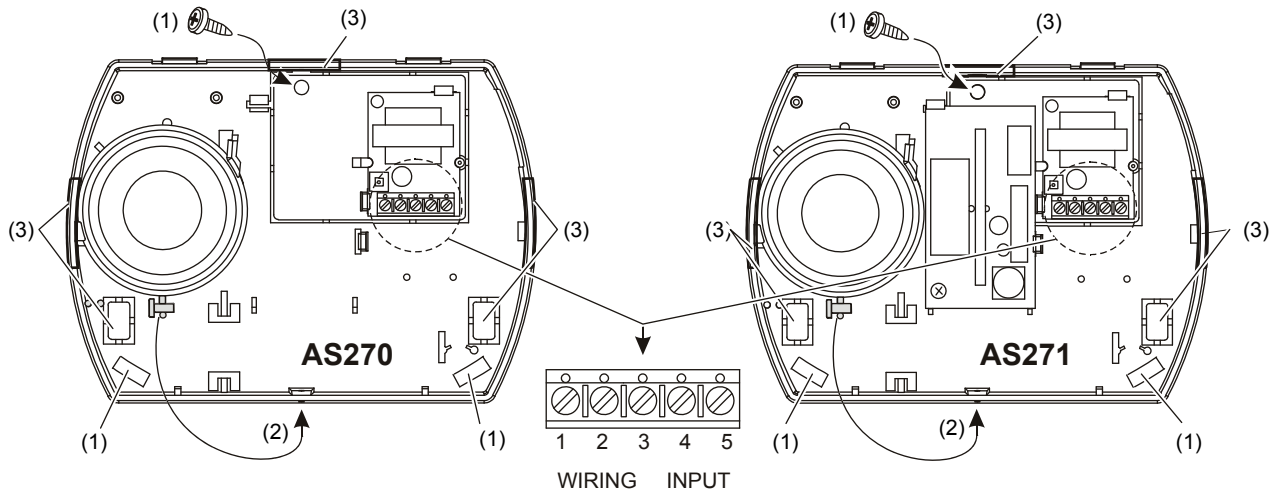


AS270/AS271 Indoor Siren Installation Sheet

EN



EN: Installation Sheet

Description

AS270 is a one-tone internal siren, ideal for use as an internal alarm sounder for residential and industrial alarm applications.

AS271 is a one-tone siren with a beacon, ideal for use as an internal alarm sounder for residential and industrial alarm applications.

Caution: Only use external current limited power supply. We recommend 5 A supply.

Figure legend

Item	Description
(1)	3 mounting screws
(2)	Siren cover closing screw
(3)	5 cable input options

Connection

Terminal	Description	Terminal	Description
1, 2.	Tamper	4.	0 V speaker
3.	+12 V $\overline{\text{=}}$	5.	0 V beacon (AS271 only)


WARNING: The beacon uses high voltage. To avoid personal injury or death from electrocution, do not touch bare wires and beacon electronics before the energy discharges.

Specifications

Supply	9 to 14.2 V $\overline{\text{=}}$
Current consumption	130 mA at 12 V $\overline{\text{=}}$ (typical)
Sound output	104 dB at 1 m (typical)
Frequency	2500 to 3000 Hz (typical)
Operating temperature	-25 to +55°C EN 50131: -10 to +55°C
Relative humidity	EN 50131: 93% max.
Dimensions	155 × 114 × 44 mm
Beacon (AS271 only)	
Supply	13 to 14.2 V $\overline{\text{=}}$
Current consumption	110 mA
Light output	100 000 peak lumens
Flash frequency	1 Hz
Spike suppression network	Standard fitted
IP rating (with sealed cable entry)	IP315

Regulatory information

Manufacturer UTC Fire & Security Americas Corporation, Inc.
 1275 Red Fox Rd., Arden Hills, MN 55112-6943, USA
 Authorized EU manufacturing representative:
 UTC Fire & Security B.V.
 Kelvinstraat 7, 6003 DH Weert, Netherlands

Certification 

EN 50131 EN 50131-4, Security Grade 2, Environmental class II
(Pry-off tamper is not certified for an EN 50131
Security Grade 2 applications.)

Tested and certified by the Norwegian testing and
certification body DNV.



2002/96/EC (WEEE directive): Products marked with
this symbol cannot be disposed of as unsorted
municipal waste in the European Union. For proper
recycling, return this product to your local supplier
upon the purchase of equivalent new equipment, or
dispose of it at designated collection points. For more
information see: www.recyclethis.info.

Contact information

www.utcfireandsecurity.com or www.interlogix.com.

For customer support, see www.utcfssecurityproducts.eu