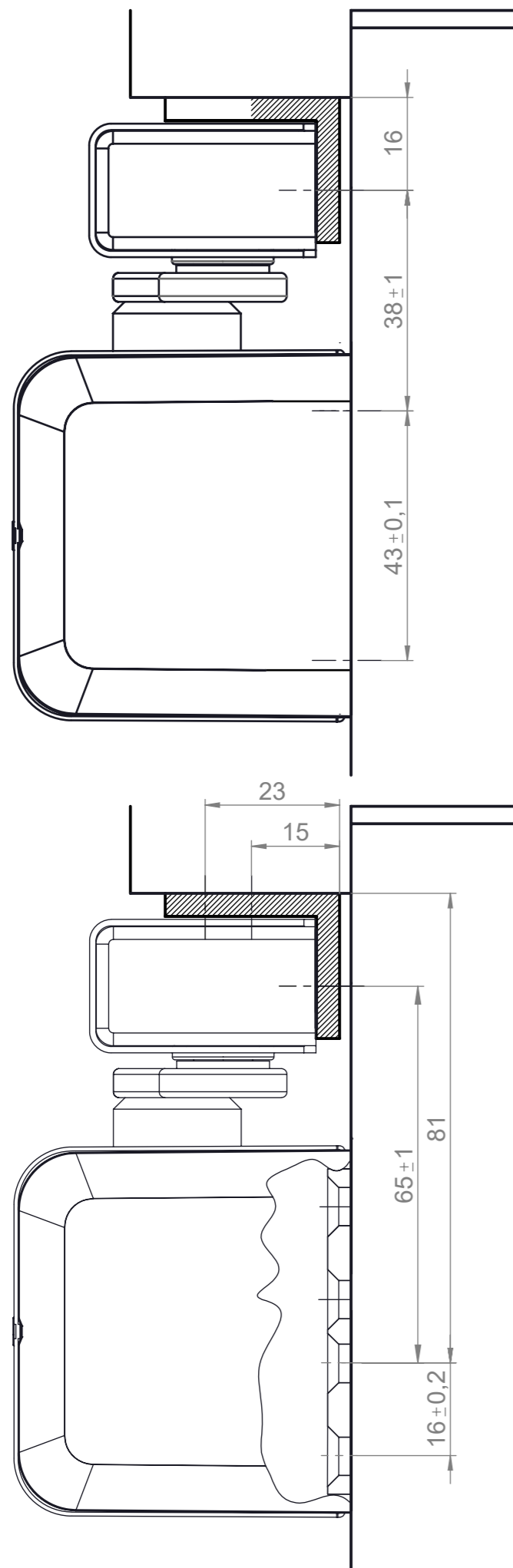
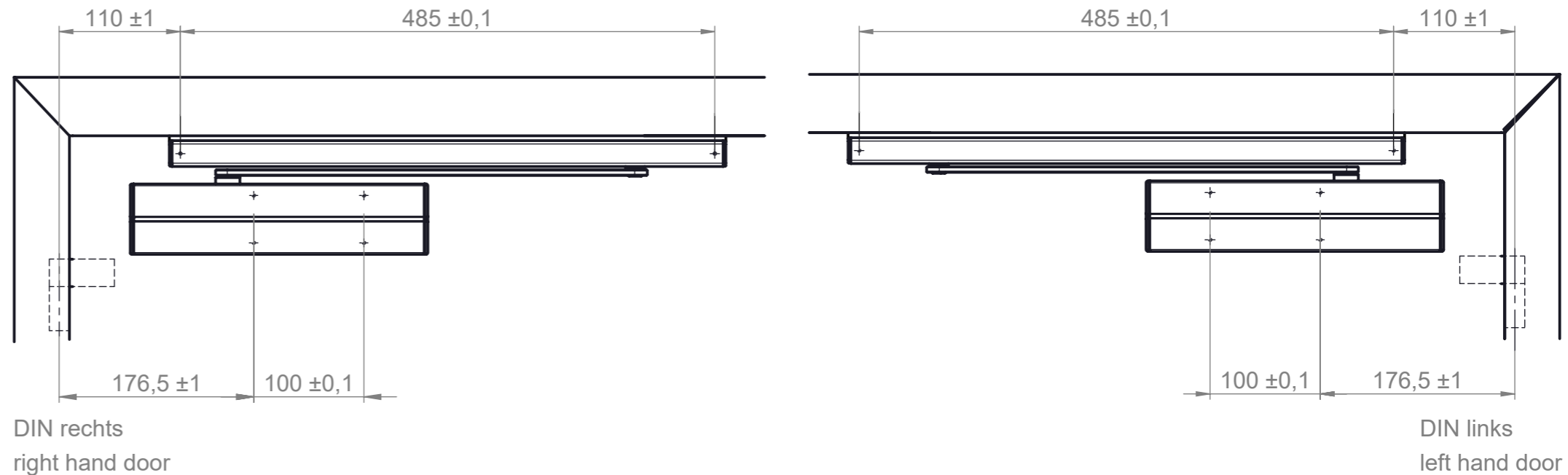


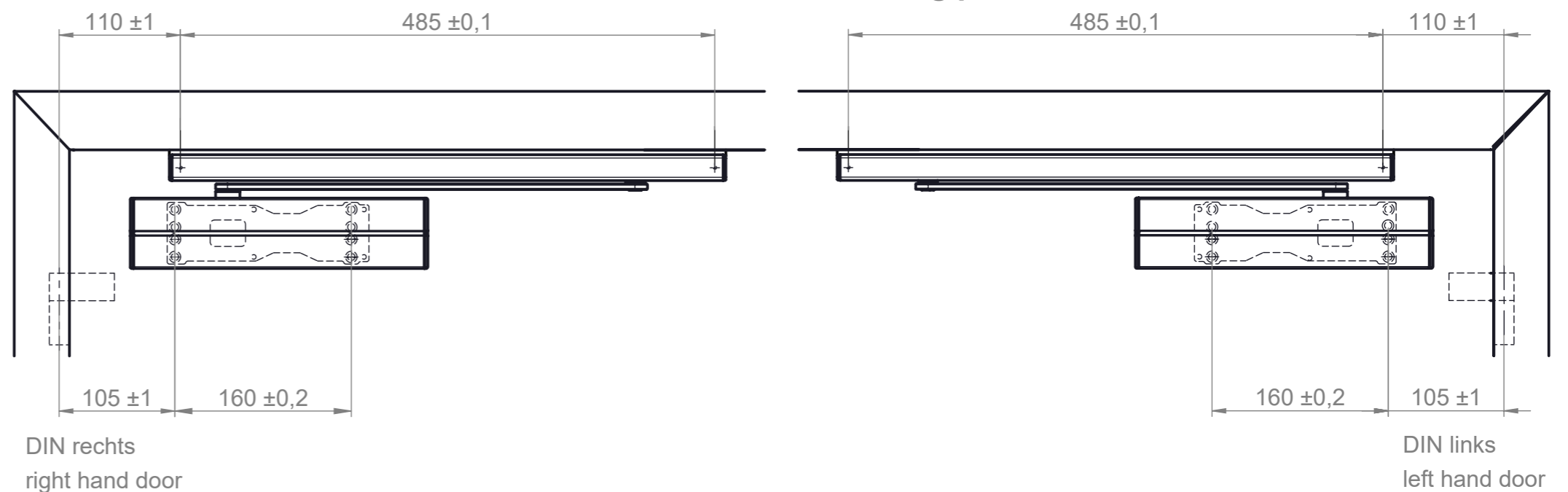
This work is copyright and no part may be reproduced, by any process, nor may any other exclusive right be exercised without the permission of ASSA ABLOY.



**Direktbefestigung
direct installation**



**Befestigung mit Montageplatte
installation with mounting plate**



				ISO 13715		Toleranz allgemein / General Tolerance																			
						<table border="1"> <tr> <th colspan="2">abweichend von/ divergent from ISO 2768</th> <th colspan="4">Nennmaßbereiche / nominal size range</th> </tr> <tr> <td>≤10</td> <td>>10 - ≤30</td> <td>>30 - ≤50</td> <td>>50</td> <td>>120</td> <td>>400</td> </tr> <tr> <td>0,1</td> <td>0,2</td> <td>0,3</td> <td>0,5</td> <td></td> <td></td> </tr> </table>		abweichend von/ divergent from ISO 2768		Nennmaßbereiche / nominal size range				≤10	>10 - ≤30	>30 - ≤50	>50	>120	>400	0,1	0,2	0,3	0,5		
abweichend von/ divergent from ISO 2768		Nennmaßbereiche / nominal size range																							
≤10	>10 - ≤30	>30 - ≤50	>50	>120	>400																				
0,1	0,2	0,3	0,5																						
State		Description		Date		Name																			
		Inspection Dimension		Name local language		Tolerances ISO 2768 m <table border="1"> <tr> <td>0,5</td> <td>> 3</td> <td>> 6</td> <td>> 30</td> <td>> 120</td> <td>> 400</td> </tr> <tr> <td>... 3</td> <td>... 6</td> <td>... 30</td> <td>... 120</td> <td>... 400</td> <td>... 1000</td> </tr> <tr> <td>± 0,1</td> <td>± 0,1</td> <td>± 0,2</td> <td>± 0,3</td> <td>± 0,5</td> <td>± 0,8</td> </tr> </table>		0,5	> 3	> 6	> 30	> 120	> 400	... 3	... 6	... 30	... 120	... 400	... 1000	± 0,1	± 0,1	± 0,2	± 0,3	± 0,5	± 0,8
0,5	> 3	> 6	> 30	> 120	> 400																				
... 3	... 6	... 30	... 120	... 400	... 1000																				
± 0,1	± 0,1	± 0,2	± 0,3	± 0,5	± 0,8																				
Surface:				Material:		General tolerance: ISO 8015 ISO 2768-mH																			
Volume:		Weight:		Surface area:		Created (YYYY-MM-DD): 2017-03-21																			
				Designed by: petrit		Drawn by: petrit																			
				Scale: 1:5 (A3)		Projection: 																			
ASSA ABLOY ASSA ABLOY Sicherheitstechnik GmbH				Door closer accessory standard installation opposite hinge side Normalmontage Bandgegenseite		Alternate ID DC500H.30-1080																			
						Document ID D000626668-001																			
						Rev.: 1																			