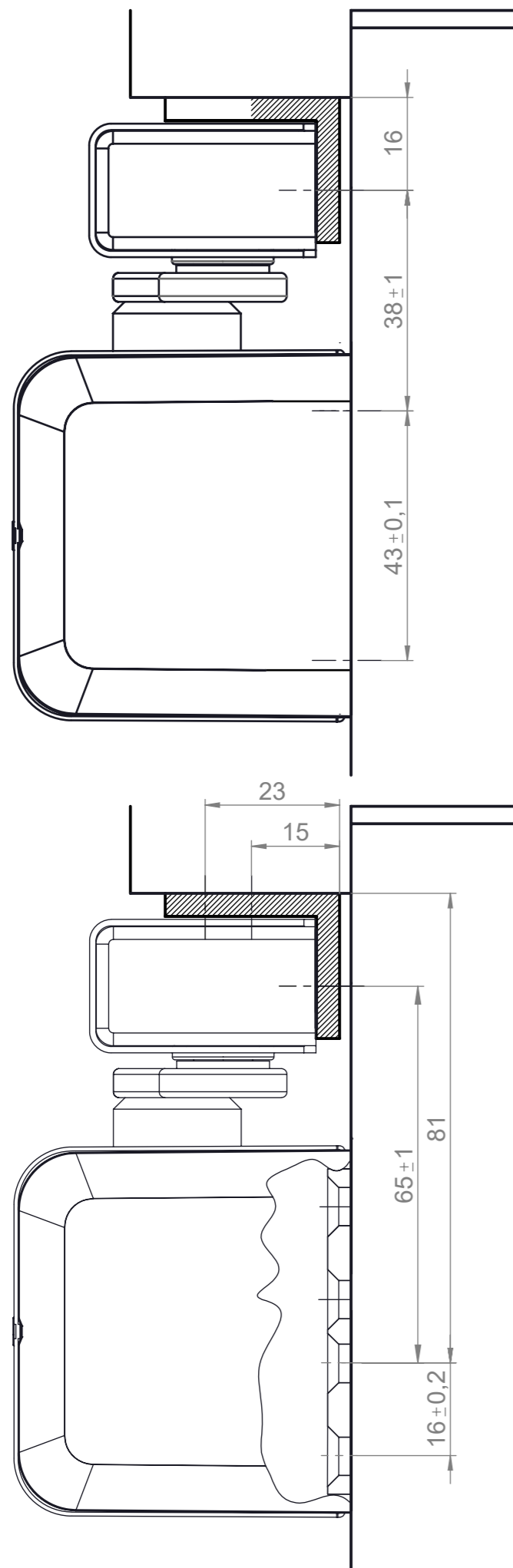
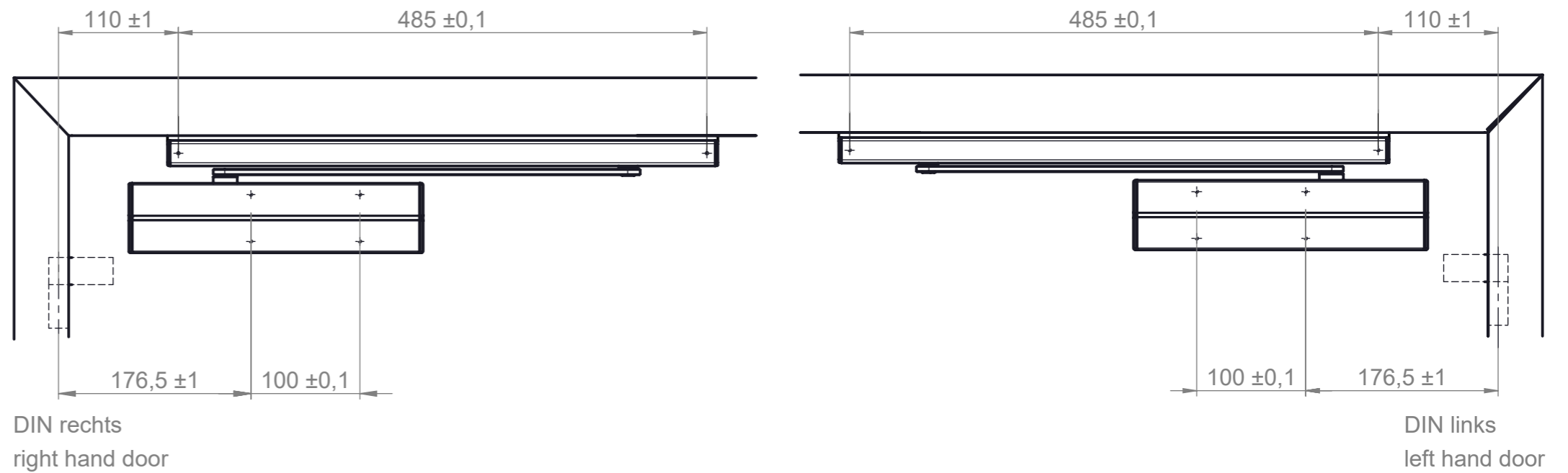


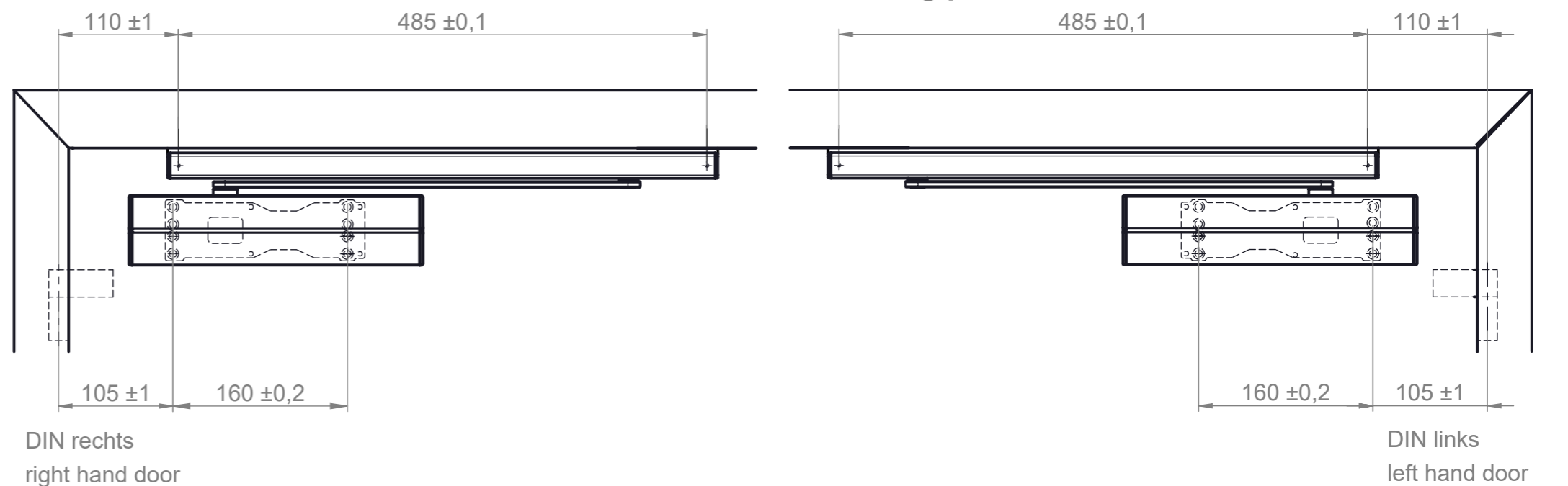
This work is copyright and no part may be reproduced, by any process, nor may any other exclusive right be exercised without the permission of ASSA ABLOY.



**Direktbefestigung  
direct installation**



**Befestigung mit Montageplatte  
installation with mounting plate**



				ISO 13715		Toleranz allgemein / General Tolerance																					
						<table border="1"> <tr> <th colspan="2">abweichend von/ divergent from ISO 2768</th> <th colspan="4">Nennmaßbereiche / nominal size range</th> </tr> <tr> <td>≤10</td> <td>&gt;10 - ≤30</td> <td>&gt;30 - ≤50</td> <td>&gt;50</td> <td>&gt;120</td> <td>&gt;400</td> <td>&gt;1000</td> </tr> <tr> <td>0,1</td> <td>0,2</td> <td>0,3</td> <td>0,5</td> <td></td> <td></td> <td></td> </tr> </table>		abweichend von/ divergent from ISO 2768		Nennmaßbereiche / nominal size range				≤10	>10 - ≤30	>30 - ≤50	>50	>120	>400	>1000	0,1	0,2	0,3	0,5			
abweichend von/ divergent from ISO 2768		Nennmaßbereiche / nominal size range																									
≤10	>10 - ≤30	>30 - ≤50	>50	>120	>400	>1000																					
0,1	0,2	0,3	0,5																								
State		Description		Date		Name																					
		Inspection Dimension		Name local language		Tolerances ISO 2768 m																					
				DC500-DC700 mit G193/195 und A104		<table border="1"> <tr> <td>0,5</td> <td>&gt; 3</td> <td>&gt; 6</td> <td>&gt; 30</td> <td>&gt; 120</td> <td>&gt; 400</td> </tr> <tr> <td>... 3</td> <td>... 6</td> <td>... 30</td> <td>... 120</td> <td>... 400</td> <td>... 1000</td> </tr> <tr> <td>± 0,1</td> <td>± 0,1</td> <td>± 0,2</td> <td>± 0,3</td> <td>± 0,5</td> <td>± 0,8</td> </tr> </table>		0,5	> 3	> 6	> 30	> 120	> 400	... 3	... 6	... 30	... 120	... 400	... 1000	± 0,1	± 0,1	± 0,2	± 0,3	± 0,5	± 0,8		
0,5	> 3	> 6	> 30	> 120	> 400																						
... 3	... 6	... 30	... 120	... 400	... 1000																						
± 0,1	± 0,1	± 0,2	± 0,3	± 0,5	± 0,8																						
Surface:		Material:		Created (YYYY-MM-DD):		Scale:																					
		ISO 2768-mH		2017-03-21		1:5 (A3)																					
Volume:		Weight:		Designed by:		Projection:																					
				petrit																							
Surface area:		Created (YYYY-MM-DD):		Designed by:		Drawn by:																					
		2017-03-21		petrit		petrit																					
		Alternate ID		Document ID		Rev.:																					
		DC500H.30-1080		D000626668-001		1																					
ASSA ABLOY		Door closer accessory		Normalmontage Bandgegenseite																							
ASSA ABLOY Sicherheitstechnik GmbH		standard installation opposite hinge side																									